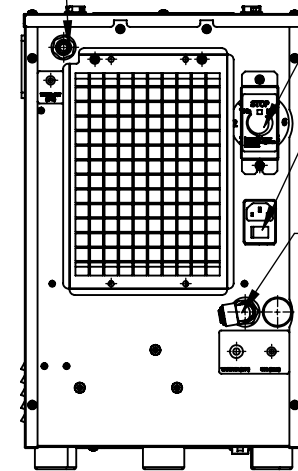


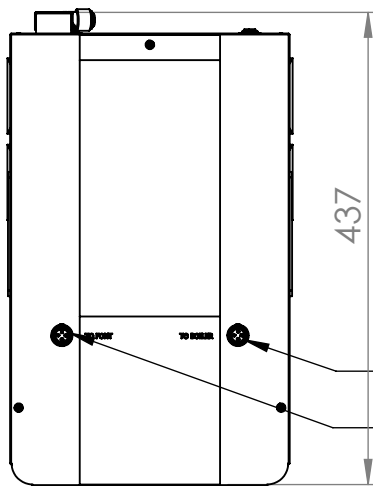
Water Out  
To Font 1/4"



Thermostat

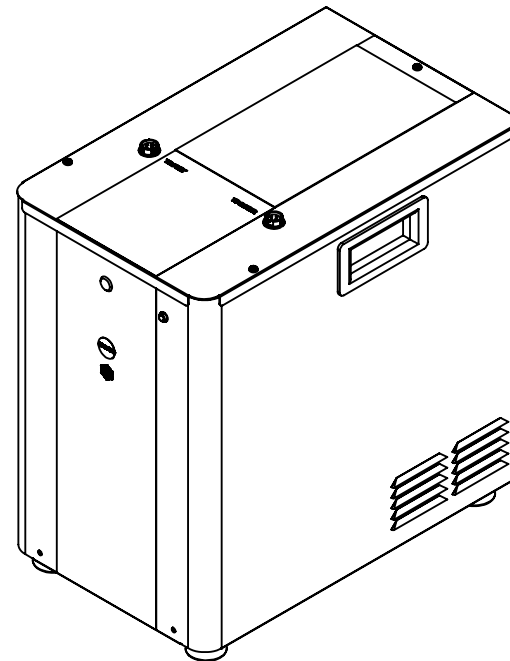
On/Off

Water in 3/8"



Not Used

Connect Font Cable



UNLESS OTHERWISE SPECIFIED:  
DIMENSIONS ARE IN MILLIMETERS  
TOLERANCES: LINEAR: +/-0.2mm  
ANGULAR: +/-0.5°

DESCRIPTION: FRIIA Cold Only

DWG NO.: 1000860

MATERIAL:

DRAWN BY: BB

APPROVED BY: DW

REVISION: a

CO:

29/10/20

29/10/20

SCALE: 1:10